

HUDSON'S GOOD

impressions



Printing and Graphic Arts Hints, News and Product Updates.

SEPTEMBER 1999

Hudson's has the stapler game...

Model 120 LONG

Max. sheet capacity 200 sheets/16 mm

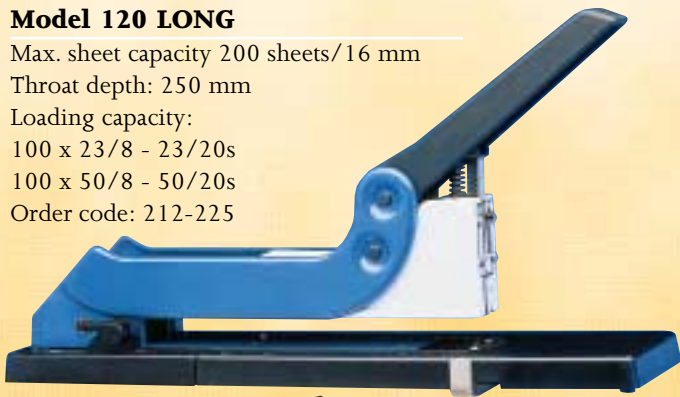
Throat depth: 250 mm

Loading capacity:

100 x 23/8 - 23/20s

100 x 50/8 - 50/20s

Order code: 212-225



Model 120 SHORT

Max. sheet capacity 200 sheets/16 mm

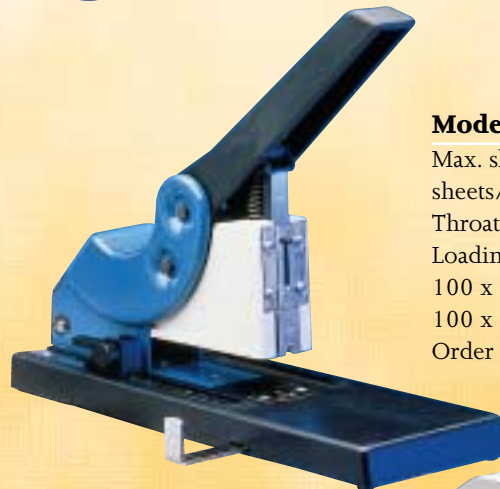
Throat depth: 100 mm

Loading capacity:

100 x 23/8 - 23/20s

100 x 50/8 - 50/20s

Order code: 212-212



skrebba®



SKR-SUPER STAPLE PLIERS

Max. sheet capacity 40 sheets/4 mm

Throat depth: 55 mm

Loading capacity: 100 x 24/6 - 23/8

100 x 26/6 - 26/8

Order code: 212-172



Model BLOCK 17/20 Heavy Duty

Metal base platform 30 x 20 cm

Max. sheet capacity 250 sheets/20 mm

Throat depth: 100 mm

Loading capacity: 100 x 23/8 - 23/24s

100 x 50/8 - 50/20s

Order code: 212-Block20



SKREBBA ELECTRONIC

Saddle and flat stapling, with foot pedal

Max. sheet capacity: 25 sheets

Throat depth: 100 mm

Loading capacity: 100 x 26/6

Order code: 212-732

...all stitched up

EPLEX

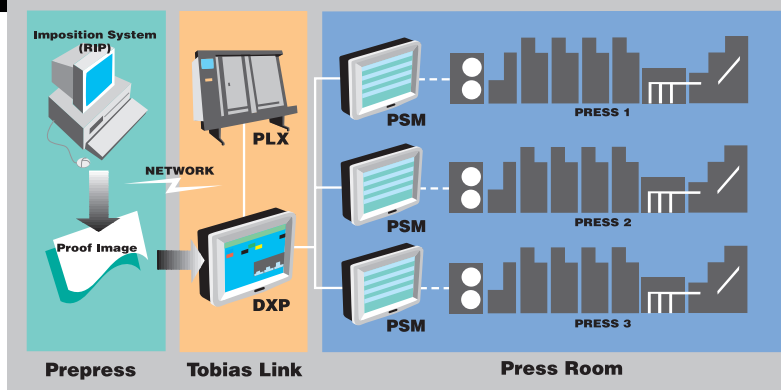


Introducing the Tobias TouchConsole™



Digital
presetting
on your press
NOW!

EPLEX FLOW DIAGRAM



EPLEX PRESS PRESET SYSTEM

The new Tobias EPLEX System converts low resolution preview files from your CTP or Imagesetter RIP into coverage data that presets fountains on virtually ANY modern litho press.

Eplex Digital Presets = Faster Make Ready. From Hudson's



Magic Green

Elasticised Anti Marking Nets for Transfer Cylinders.

Available in packs of 6 nets to suit most makes and sizes of sheet fed presses.

Special Offer

Attention Heidelberg owners (MO & Speedmaster).

During September & October with each pack of MAGIC GREEN nets, you will receive a quality denim work apron from Hudson's as a free bonus.

Magic Green the competitive alternative

TECH TIP

Saving An Oxidised Metal Litho Plate

The next time you have a problem with a metal plate, use PLATE SAV-UR. It really does work. When used as directed PLATE SAV-UR will under most circumstances:

- Remove scratches and oxidation.
- Make plates more ink receptive.
- Remove scum and gum streaks.
- Desensitise plates for high quality runs.

All without hard scrubbing!

It could be that some of those stored plates would not have to be remade if you had some PLATE SAV-UR at hand.

Order a bottle from Hudson's today as future insurance for that next problem plate.

Code: 294-9404

Anti-fatigue Mats with Long Standing Benefits!



Available Sizes:

600 mm x 900 mm
900 mm x 1500 mm
900 mm x 22.8 m rolls
1200 mm x 22.8 m rolls

Colours:
Black with
Yellow Chevron
Safety Borders.

Safety Alert SpongeCote 416

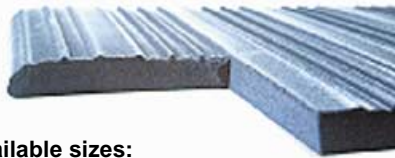
Provides safety awareness and unmatched anti-fatigue comfort in the workplace.

Ideal for Plate Room and Pressroom and All Dry Work Areas.

- Instils safety consciousness while providing superb anti-fatigue support.
- Features the universally recognised safety/warning border.
- Ergonomic support enhances employee morale, productivity and overall physical well-being.
- Chemically resistant Koroseal® vinyl surface bonded to a super-resilient, vinyl sponge base.
- 14 mm overall thickness.
- Diamond-plate surface.

Ribbed Cushion 900

The ribbed surface design provides non slip traction and reduces leg and back fatigue. It's great for workers standing all day such as in the finishing department. Ribbed Cushion 900 insulates against cold and floor hardness and reduces noise levels. It is nine millimetres thick and comprises 100 per cent closed vinyl sponge with safety edges.

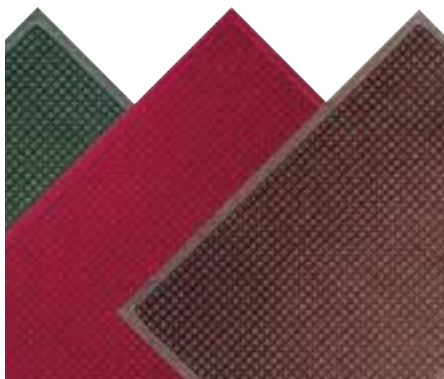
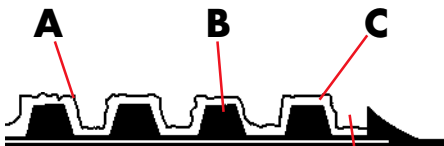


Available sizes:

900 mm x 1500 mm cut mats & 900 mm x 18.2 m in rolls (cut to length per lineal metre).

Waterhog™ Mats 225

Dirt and Water Stop Here. Ideal between the factory and office areas.



Colours: Bluestone, Charcoal, Medium Grey, Evergreen, Red/Black, Dark Brown.

- A** Unique ridged construction effectively removes and traps dirt and moisture.
- B** Exclusive rubber-reinforced face nubs prevent pile from crushing, extending product life.
- C** Anti-static 100% premium polypropylene fibre system. Fabric dries quickly; won't fade or rot. Can easily be vacuumed or hosed out.
- D** Special Tri-Grip™ cleated rubber backing minimises movement on most carpets and improves traction on hard surfaces.
- E** Exclusive "water dam" allows the Waterhog™ mat to hold up to 6.6 litres of water per square metre; water and dirt stay in the mat.

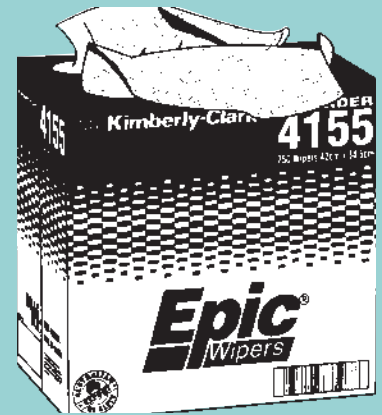
* Cleaning is easy! Simply use vacuum and extraction cleaning methods or hose Waterhog off with water and hang to dry.

Large range of cut sizes available from 600 x 900 mm and rolls 1200 & 1800 mm wide. Please note all measurements stated are approximate size only.

All these mats are available from Hudson's.

SPECIAL OFFER

Epic Wipers



Cleaning up, on and around the press, is quicker and easier when using Epic Wipers.

These features make them the first choice in wipers:

- Highly absorbent to attract and contain ink and solvents.
- Low linting and hygienically clean, which reduces problems and hickies.
- Heavy duty polypropylene lasts longer, either wet or dry.
- Pre-cut sheets control usage and wastage.
- Sheet size 42 cm x 34.5 cm.
- 250 wipers in a convenient dispensing box.

DISCOUNT

Buy Three Boxes and Receive a 10% Discount

Plus

One Free Wall Mounting Bracket for An Easy-to-use Dispensing System, with Each Three Box Order.

Offer Only Available During September & October 1999.

Epic®

Wipers

A New Label on the Australian Scene



Bringing New Dimensions
and Added Value to printing

Thermographic Powders for Superior Results in Raised Printing

Some time ago FAUST THERMOGRAPHIC took over the respected NU-GRAF brand of Thermo powders. The result has been an even better product because Faust are by far the largest manufacturers of thermo powders in the world with an R & D department to match. Faust are represented in Australia by A.E. Hudson Pty Ltd.

TECH UPDATE

Thermography Faust Sun-kure Laser-safe Powder

Sun-Kure is guaranteed not to melt in any laser printer or high speed copy machine so it is ideal to use for raised letterheads. The process is carried out in a normal way using conventional oil based offset ink. The Sun-Kure powder, after heating and during the cooling process passes under a UV lamp which "cures" the final raised print to a laser safe condition.

A purpose-designed fully automatic thermographic machine equipped with UV, such as SUNRAISE equipment, is required to successfully produce laser safe raised printing.

Please note that you do not use UV inks, and that rubber base inks are not suitable. Letterheads with large logos or solid areas are not ideal when a very smooth appearance is demanded.

Because the laser safe finish tends to have some brittleness, which in normal use is acceptable, folding is not recommended.

Both Faust Sun-Kure powder and Sunraise Thermo equipment are represented in Australia by A.E. Hudson Pty Ltd.

For all automatic and manual thermographic printing machines. Specially treated to give good cleaning off and resistance to static electricity. For best results stop recirculation when not printing. Keep tightly sealed and store away from heat.

KEEP IN A COOL PLACE

Bringing New Dimensions and Added Value to Printing

Thermographic Powder

faust Thermographic, a division of Operaship Limited, Woodhouse Road, Todmorden, England OL14 5TP

Please note all material contained in Hudson's Good Impressions is subject to copyright and may not be reprinted in whole or in part without the express permission of A.E.Hudson Pty Ltd. Specials quoted are trade prices and do not include sales tax. Limited stock is available on specials. Freight is additional.

INFINITY

THE ULTIMATE ACRYLIC INK



A. E. HUDSON PTY. LIMITED • GRAPHIC ARTS SUPPLIERS

A.C.N. 004 432 286

FAX: SYD. (02) 9643 8211 MELB. (03) 9388 0925 BRIS. (07) 3252 1515

AS9002
Lic. 2046
Standards Australia
Sydney & Melbourne

SYDNEY: JAMES & EAST STS
LIDCOMBE NSW 2141
TELEPHONE: (02) 9643 8200
Email: info@hudsons.com.au

MELBOURNE: 417 ALBERT STREET
BRUNSWICK VIC 3056
TELEPHONE: (03) 9380 2277

BRISBANE: 30 EDGAR STREET
BOWEN HILLS QLD 4006
TELEPHONE: (07) 3252 8212
QLD COUNTRY: (07) 5575 5077

ADELAIDE: (08) 8363 4466
PERTH: (08) 9388 3040
TASMANIA: (03) 6234 5622