



**HUDSON'S**

# imprints

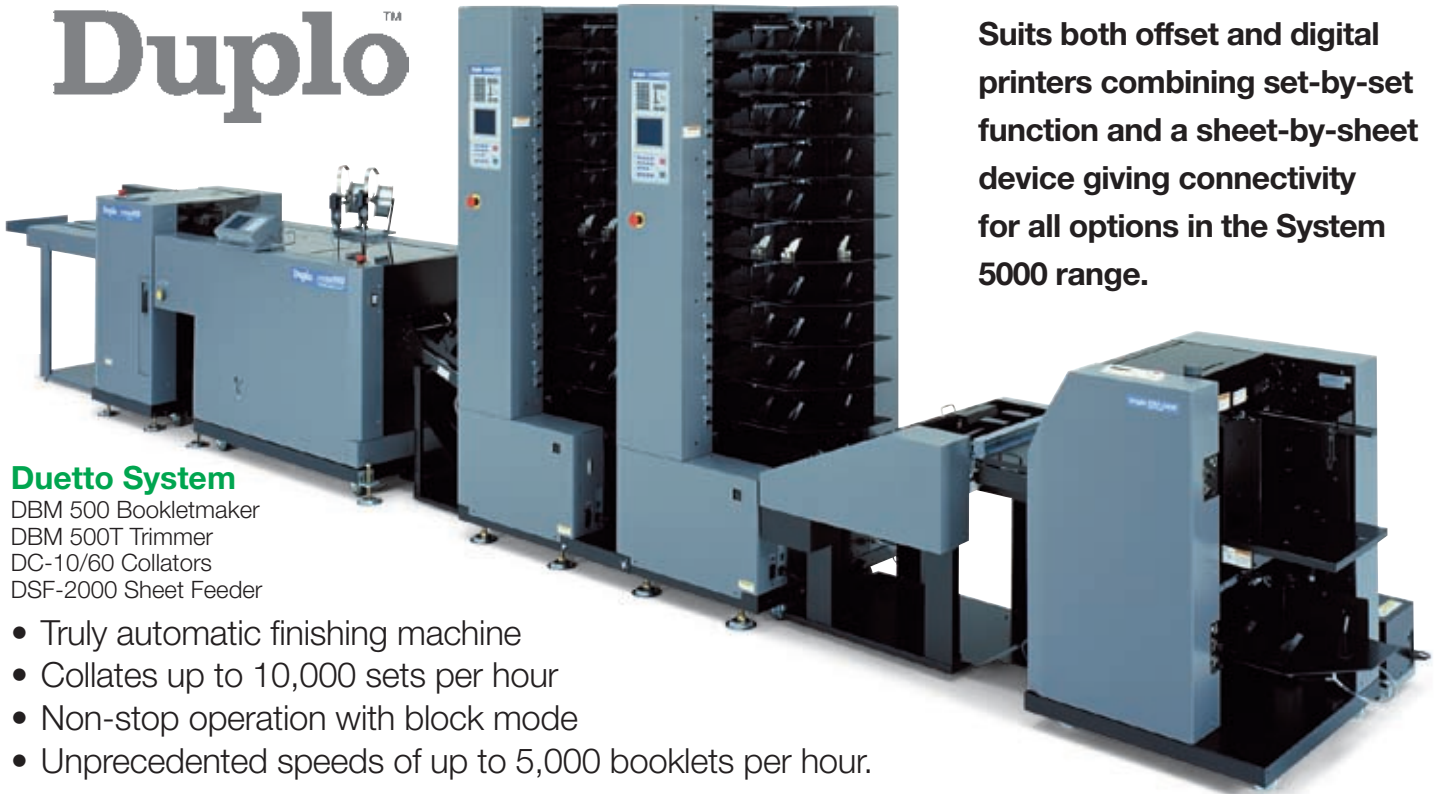
- ▶ **MACHINERY**
- ▶ **CONSUMABLES**
- ▶ **EQUIPMENT**

Customer Newsletter - June 2006

## **BOOKLETMAKING UP TO 5000 SETS PER HOUR**

## **GETS EVEN BETTER!**

### Duplo™



Suits both offset and digital printers combining set-by-set function and a sheet-by-sheet device giving connectivity for all options in the System 5000 range.

#### **Duetto System**

- DBM 500 Bookletmaker
- DBM 500T Trimmer
- DC-10/60 Collators
- DSF-2000 Sheet Feeder

- Truly automatic finishing machine
- Collates up to 10,000 sets per hour
- Non-stop operation with block mode
- Unprecedented speeds of up to 5,000 booklets per hour.



**Automated Work Flow**



## **BECAUSE!**

**UP UNTIL 31 JULY 2006  
THE SECOND DC/60  
COLLATING TOWER WILL  
BE NO CHARGE WITH  
EACH COMPLETE DUETTO  
SYSTEM ORDERED!**

# Bind Documents, Presentations & Promotions In 40 Seconds



## THERMAL BINDING SYSTEMS FOR SHORT RUN PRESENTATION FOLDERS

### ✓ EASY TO USE.

No adjustments needed. Just place your pages into the pre-glued cover, then place the cover into the machine.

### ✓ FASTER.

No more punching. These thermal binding systems do all the work.

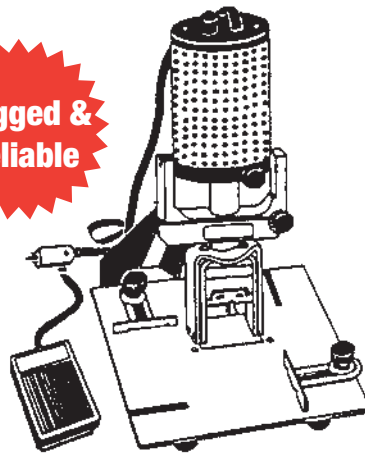
### ✓ QUICK BINDING.

Bind from just a few sheets right up to a huge 50 mm thick.

### ✓ PROFESSIONAL.

Bound documents are thinner and neater in appearance because there aren't any bulky coil rings.

# WIZER NUMBER-ALL



**This great little numbering machine is simple, fast and reliable.**

- Goes through 4-part carbonless.
- Number tickets, business forms, NCR, etc.
- Hands-free, electronic foot control.
- Simple, exact registration by movable paper guides.
- Sharp clear numbers, six-wheel numbering head with dropout zeros. Forward action from 0-999999.
- Consecutive, duplicate, triplicate, quadruplicate, six times, twelve times or repeat action.
- No ribbons to change.
- Head swivels 360 degrees to number anywhere on the sheet.

**GOTHIC 123456**

*Actual Size Impression*

# DER Deglaze & Rubber Rejuvenator

**Clear liquid that removes glaze and restores rubber to as-new condition**

- European formulation
- Low odour
- Rejuvenates rollers and blankets
- DER thoroughly cleans and quickly removes the most



- persistent glaze. It will also remove, most efficiently, ink that has dried to a hard crust.
- DER is designed to do a one step cleaning job where previously several steps have been necessary to achieve the desired result. This product cleans and revives rubber blankets, restoring their original resiliency. It also removes glaze, dried ink, gum residues, paper lint, dust, etc.
- DER is a most effective cleaner of steel rollers.
- DER should be applied directly to rollers and blankets by hand using a clean cloth or sponge, wiping across the surface with an even sweeping motion until clean.

**Der-2001\* is available from Hudson's in 5 litre cans and 20 litre drums.**

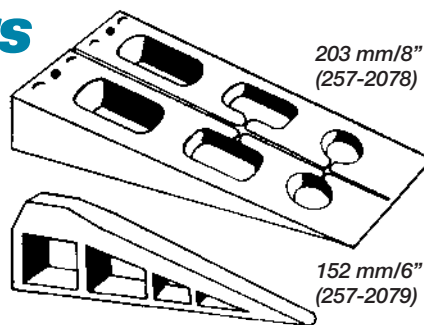
219-DER-05/-20

## Pile Separators

**Made of a tough, durable plastic.**

**To ensure a level stock pile for the feeder suckers Hudson's recommends plastic, rather than wooden, wedges.**

Plastic separators have a longer taper than the old style wooden wedges, which allow the pressman to get a much closer adjustment of the level. At the feed end a more accurate level will prevent misses, dragging, sheets folding under, etc. Used at the delivery end, the pile separators ensure proper jogging.



203 mm . . . . . \$16.20\* ea  
152 mm . . . . . \$10.95\* ea

\* plus GST

## NEW LARGER SHOWROOM IN BRISBANE

We are now on the corner of Thompson St, and Edmondstone Rd (No 24) just two doors from our previous location at Bowen Hills.

Phone and fax remain the same.

**WE LOOK FORWARD TO YOUR VISIT.**

**A. E. HUDSON PTY. LIMITED • [www.hudsons.com.au](http://www.hudsons.com.au)**  
A.B.N. 52 004 432 286

SYDNEY: JAMES & EAST STS  
LIDCOMBE NSW 2141  
TELEPHONE: (02) 9643 8200  
Email: [info@hudsons.com.au](mailto:info@hudsons.com.au)  
FAX: (02) 9643 8211

MELBOURNE: 26 CEYLON STREET  
NUNAWADING VIC 3131  
TELEPHONE: (03) 9894 3434  
Email: [melb@hudsons.com.au](mailto:melb@hudsons.com.au)  
FAX: (03) 9894 3553

BRISBANE: 24 EDMONDSTONE ROAD  
BOWEN HILLS QLD 4006  
TELEPHONE: (07) 3252 8212  
Email: [bris@hudsons.com.au](mailto:bris@hudsons.com.au)  
FAX: (07) 3252 5367

QLD COUNTRY: (07) 5575 5077  
ADELAIDE: (08) 8363 4466  
PERTH: (08) 9443 2244  
TASMANIA: (03) 6234 5622  
NSW COUNTRY: (02) 6280 4899

Please note all material contained in this publication is subject to copyright and may not be reprinted in whole or in part without the express permission of A.E. Hudson Pty Ltd.  
\* Prices quoted by A.E. Hudson Pty Ltd are trade prices and do not include GST. Limited stock is available on specials. Freight and GST are additional.